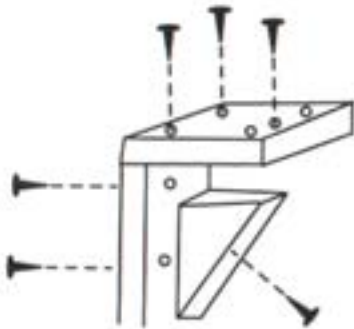
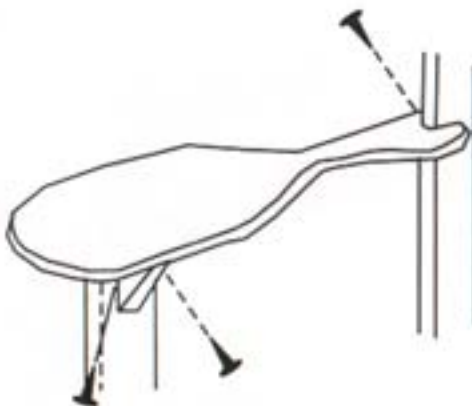


8. Attach the top of the struts #4 to the underside of the top back support with 4 screws.

9. Attach the bottom of each strut with 2 screws.



10. Attach the arm supports (#3) to top of the legs (#1) with two screws. Push the triangles (#2) into the right angle corner and attach with 2 screws. Attach the triangle to the underside of the arms support with 1 screw.



11. Attach the arm to the rear strut with one screw and to the arm support with 2 screws.

YOU'RE DONE, TRY IT OUT!